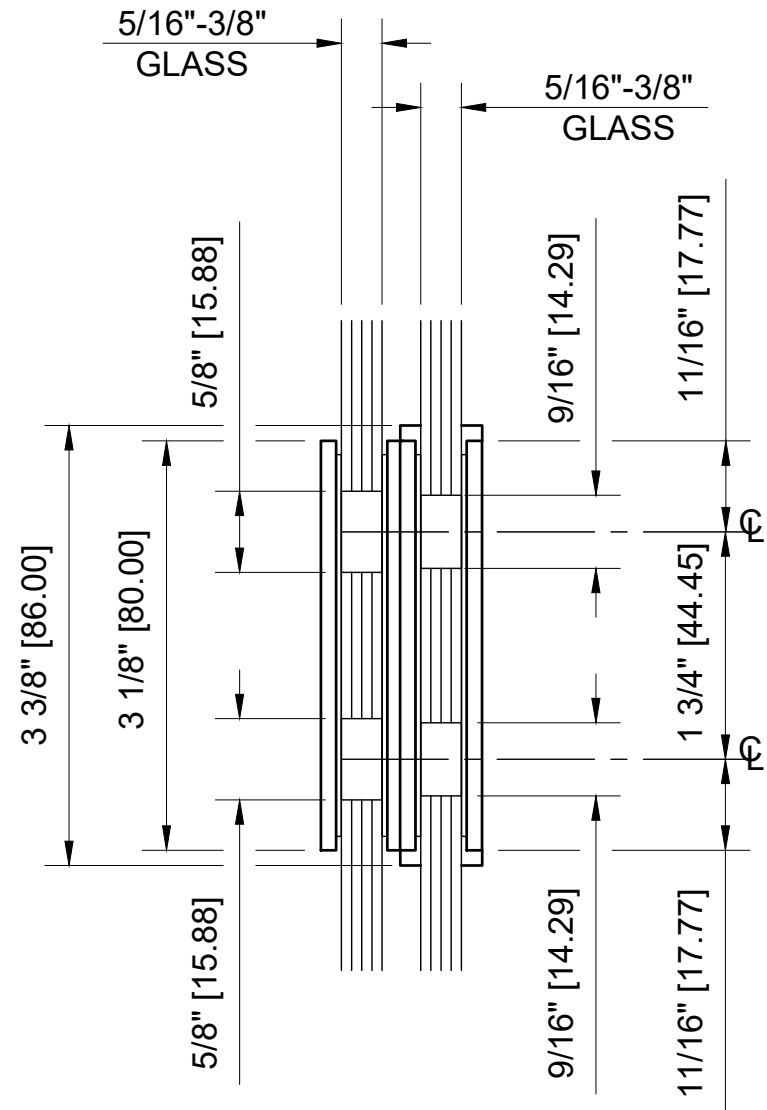
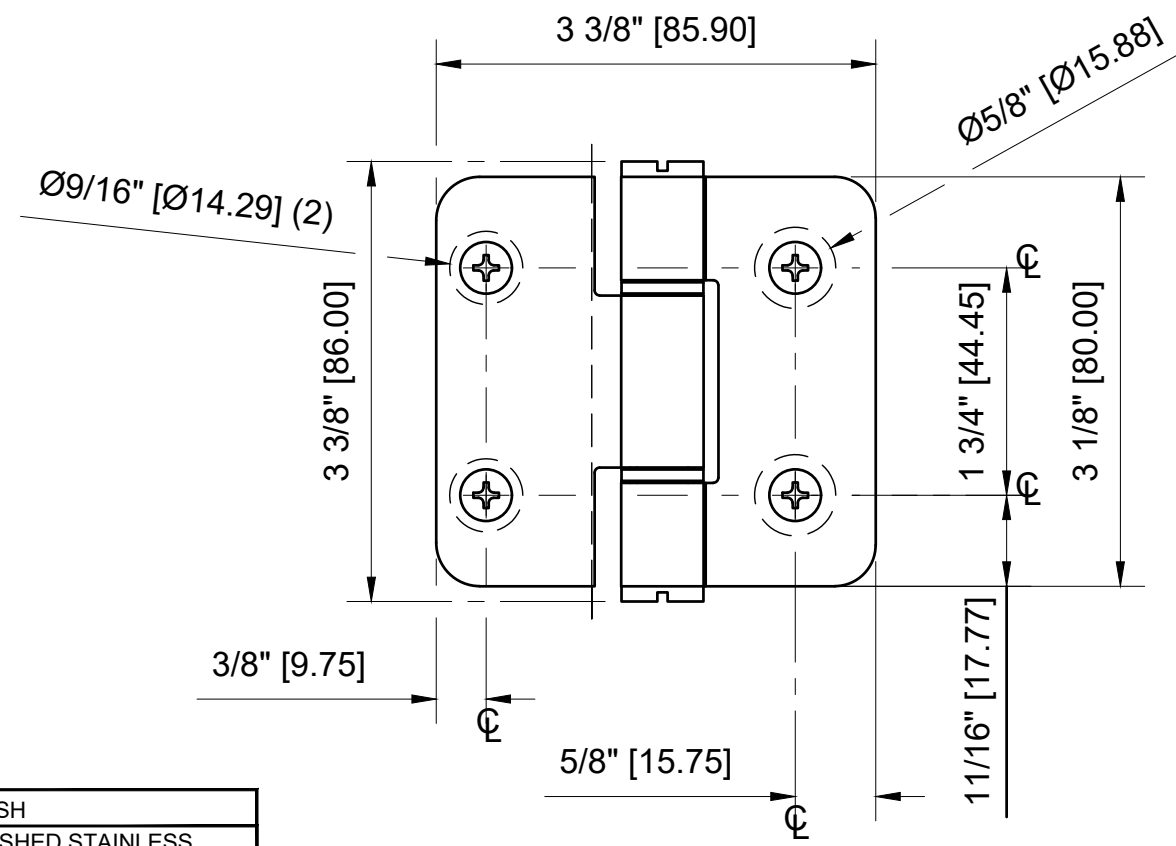
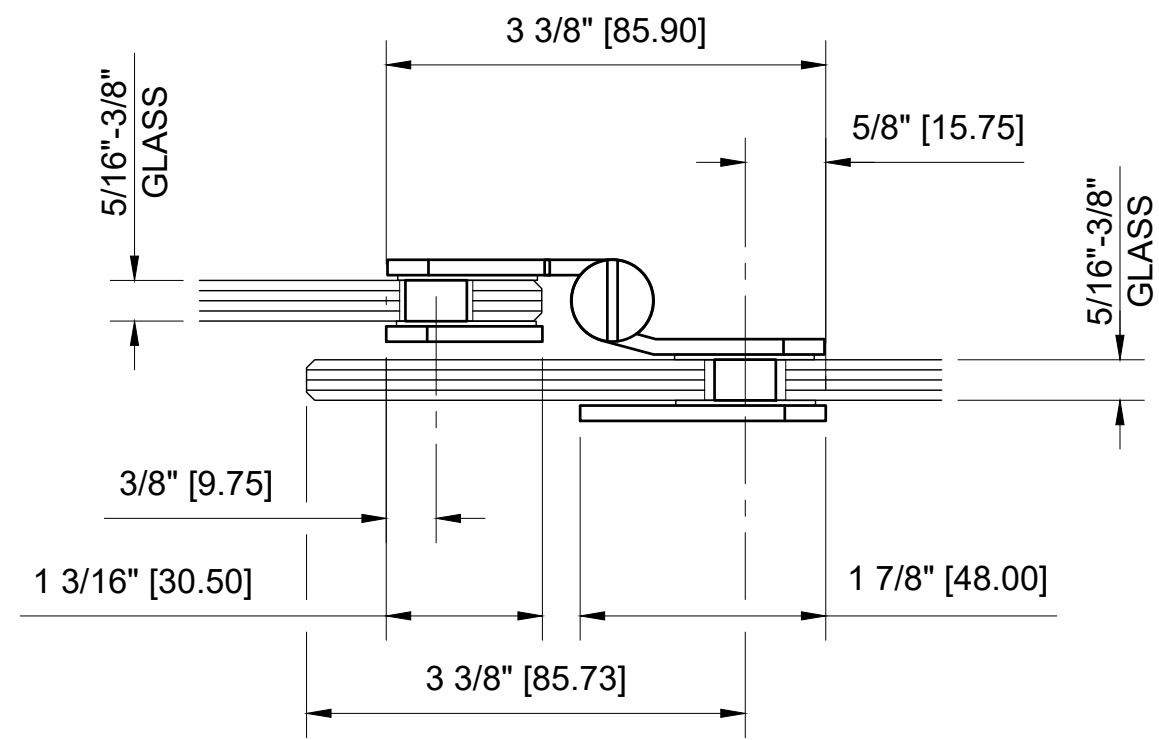


USE OF GASKETS
 FOR 5/16" (8mm) GLASS: USE ONE THICK GASKET ON EACH SIDE
 FOR 3/8" (10mm) GLASS: USE ONE THIN GASKET ON EACH SIDE



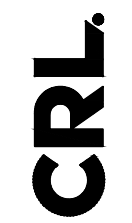
CATALOG NUMBER	FINISH
ZUR02PS	POLISHED STAINLESS
ZUR02BR	POLISHED BRASS
ZUR02BN	BRUSHED NICKEL
ZUR02GP	GOLD PLATE
ZUR02PN	POLISHED NICKEL
ZUR02SS	BRUSHED STAINLESS

ZUR02XX - CRL ZURICH SERIES GLASS TO GLASS MOUNT BI-FOLD HINGE

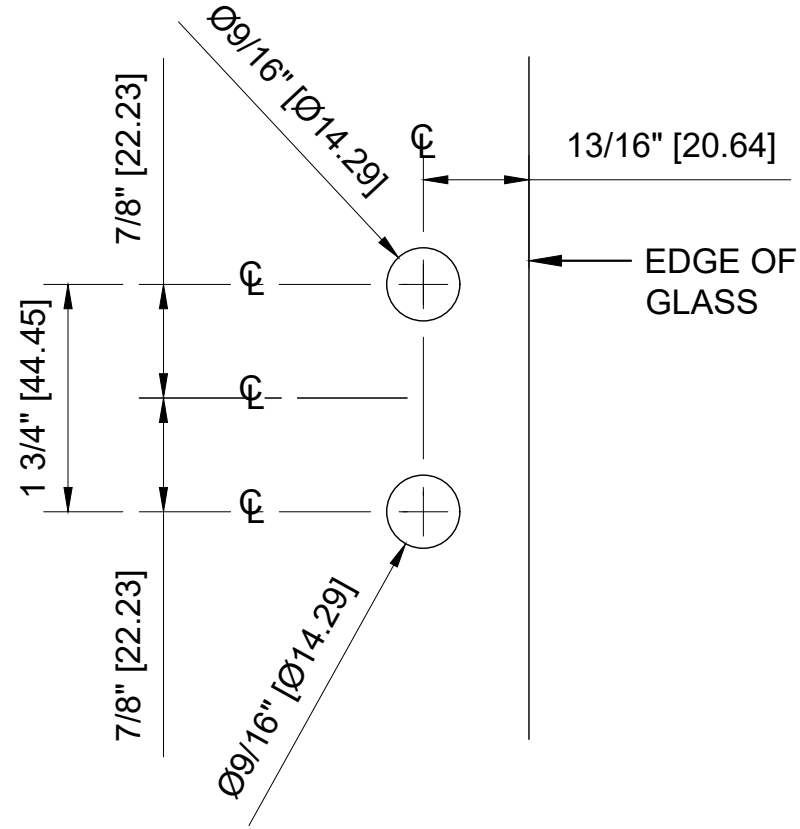
DATE: 9/9/19
 SCALE: 6"=1'-0"
 DRAWN BY: VM

DESCRIPTION: CRL ZURICH SERIES HINGE
 CTS
 ZUR02 - GLASS TO GLASS MOUNT
 180 DEGREE OUT / IN SWING BI-FOLD HINGE

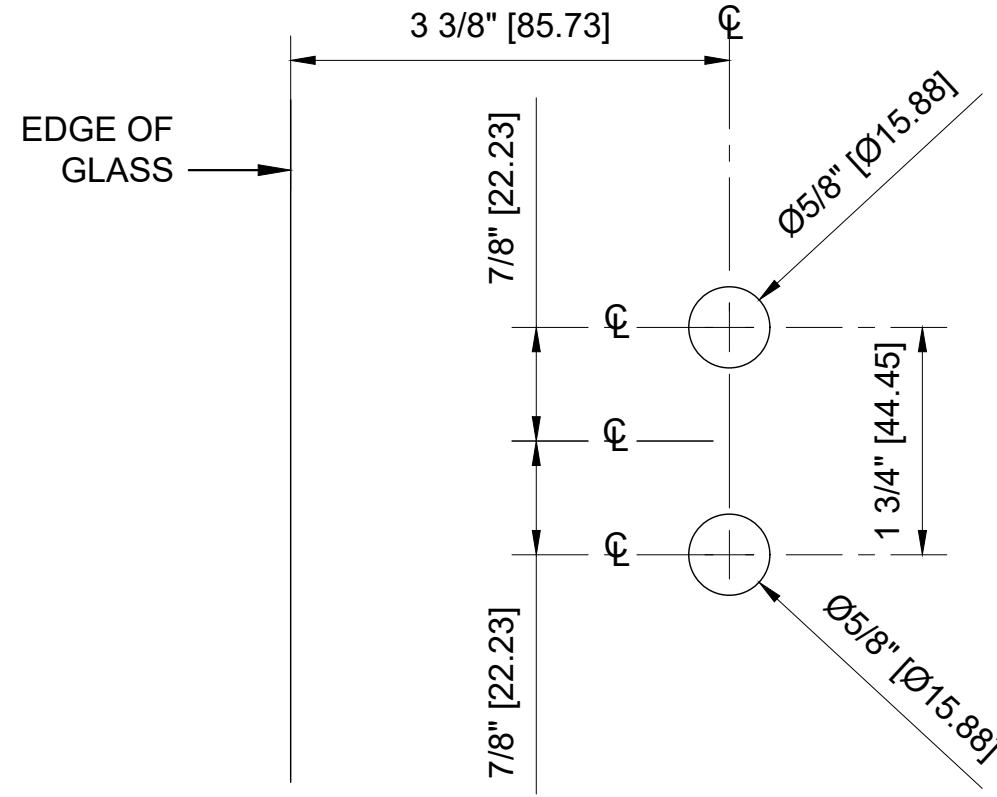
C.R. LAURENCE CO. ARCHITECTURAL PRODUCTS
 2503 E. Vernon Avenue, Los Angeles, CA 90058-1897
 PH (800)-421-6144 FX: 800-587-7501 www.crlaurence.com



USE OF GASKETS
 FOR 5/16" (8mm) GLASS: USE ONE THICK GASKET ON EACH SIDE
 FOR 3/8" (10mm) GLASS: USE ONE THIN GASKET ON EACH SIDE



DOOR PANEL "A"
 GLASS FABRICATION TEMPLATE



DOOR PANEL "B"
 GLASS FABRICATION TEMPLATE

CATALOG NUMBER	FINISH
ZUR02PS	POLISHED STAINLESS
ZUR02BR	POLISHED BRASS
ZUR02BN	BRUSHED NICKEL
ZUR02GP	GOLD PLATE
ZUR02PN	POLISHED NICKEL
ZUR02SS	BRUSHED STAINLESS

ZUR02XX - CRL ZURICH SERIES GLASS TO GLASS MOUNT BI-FOLD HINGE

DATE: 9/9/19
 SCALE: 6"=1'-0"
 DRAWN BY: VM

DESCRIPTION: CRL ZURICH SERIES HINGE
 CTS
 ZUR02 - GLASS TO GLASS MOUNT
 180 DEGREE OUT / IN SWING BI-FOLD HINGE

C.R. LAURENCE CO. ARCHITECTURAL PRODUCTS
 2503 E. Vernon Avenue, Los Angeles, C.A 90058-1897
 PH (800)-421-6144 FX: 800-587-7501 www.crlaurence.com

