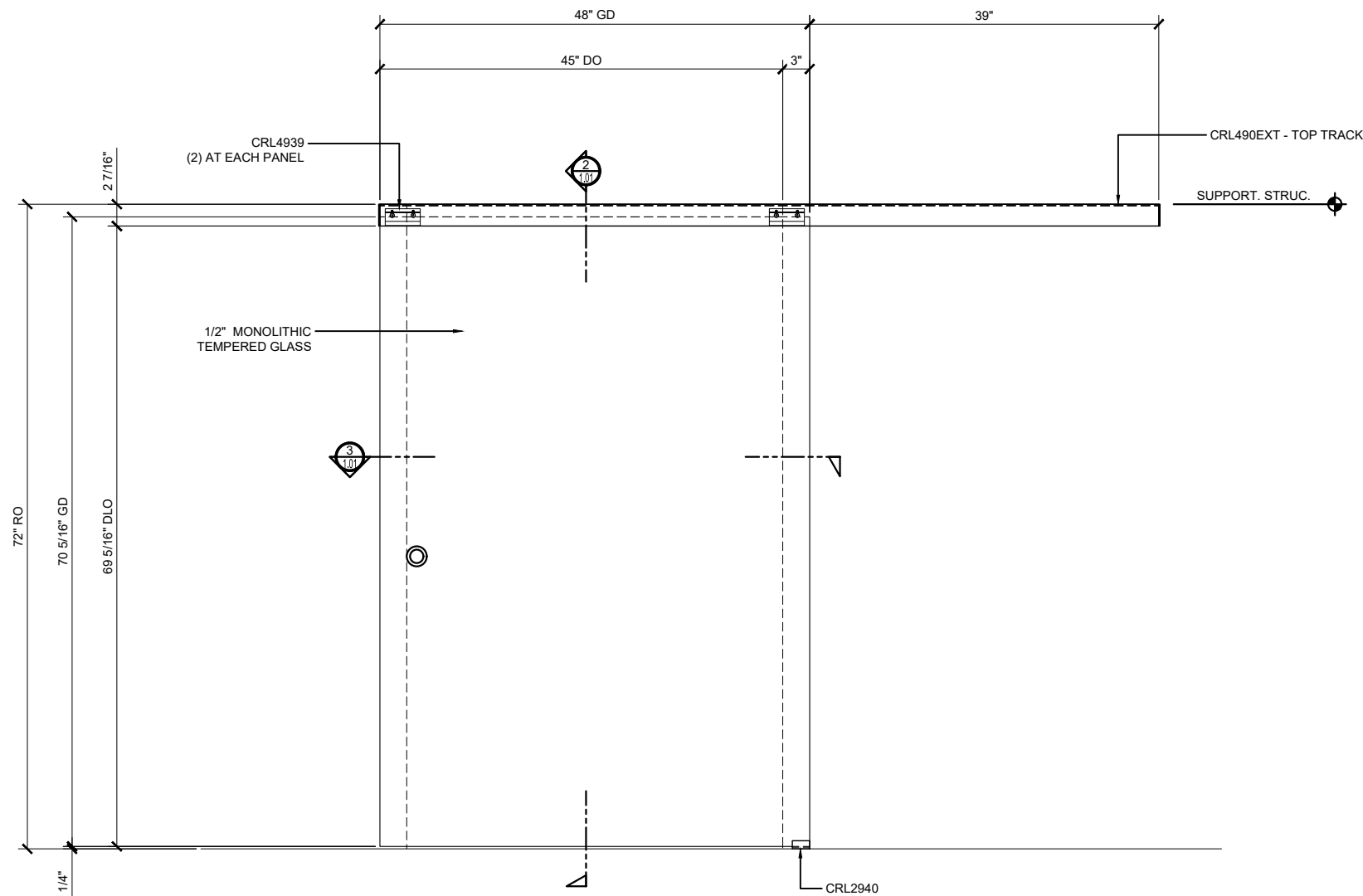
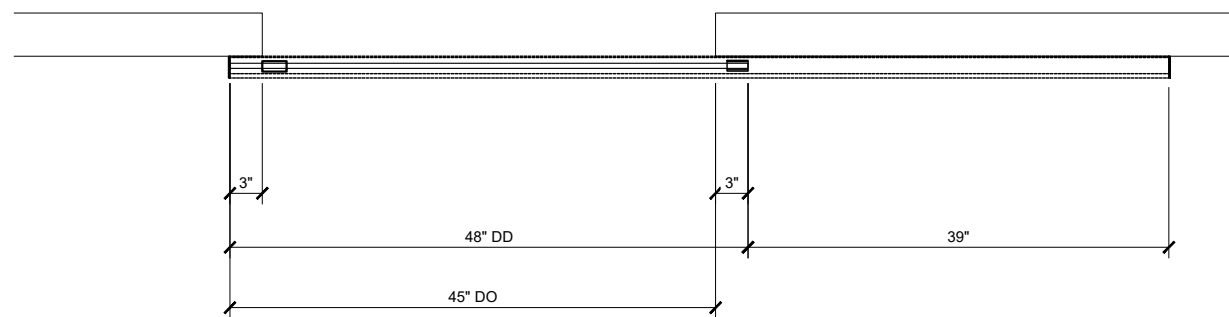


**CRL 490/495 SERIES TOP HUNG SLIDING DOOR SYSTEM**  
**CRL490, CRL490BSA, CRL490MBL, CRL495, CRL495BSA & CRL495MBL**



**① CRL4901 SLIDING DOOR ELEVATION**

1 1/2"=1'-0"

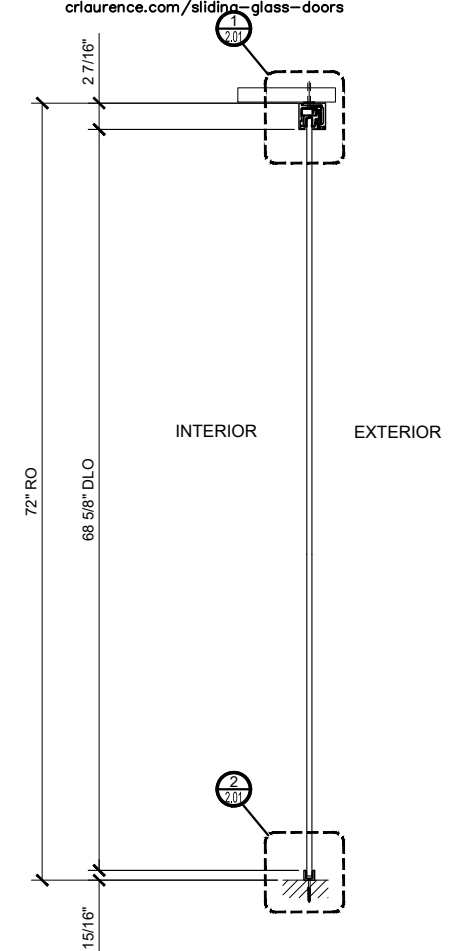


**③ CRL4901 PLAN**

1 1/2"=1'-0"

- \* FOR 5/16" TO 1/2" (8 TO 12 MM) TEMPERED GLASS
- \* AVAILABLE WITH OR WITHOUT "SOFTBRAKE" SYSTEM
- \* KITS AVAILABLE FOR WALL AND CEILING OR DROPPED CEILING APPLICATIONS WITH OR WITHOUT FIXED PANELS
- \* MAX DOOR WEIGHT: 330 POUNDS (150 KG)
- \* FULLY CONCEALED CONCEALED CLAMPS IN HEADER
- \* NO NOTCHES OR HOLES REQUIRED IN THE GLASS FOR INSTALLATION
- \* FINISHES AVAILABLE: SATIN ANODIZED, BRUSHED STAINLESS ANODIZED, MATTE BLACK

NOTE: FOR A DETAILED LISTING OF THE COMPONENTS OF EACH KIT GO TO [crlaurence.com/sliding-glass-doors](http://crlaurence.com/sliding-glass-doors)



**② SLIDER SECTION**

1 1/2"=1'-0"

**STRUCTURAL DISCLAIMER:**

ALL CUSTOMERS WHO IN ANY WAY UTILIZE THIS PRODUCT ARE SOLELY RESPONSIBLE TO CONSULT A STRUCTURAL ENGINEER TO DETERMINE THE SUITABILITY OF THE PRODUCT FOR THE INTENDED USE AND SITE CONDITIONS. ALL INSTALLERS MUST BE QUALIFIED AND HAVE PROFESSIONAL KNOWLEDGE ABOUT COMPLIANCE WITH LOCAL, STATE AND FEDERAL REGULATIONS, SAFETY FACTORS, AND THE APPROPRIATE CHOICE OF FIXING MATERIAL AND PROCEDURES.

**STANDARD ABBREVIATIONS**

RO	ROUGH OPENING
FD	FRAME DIMENSION
DLO	DAYLIGHT OPENING
DO	DOOR OPENING
DD	DOOR DIMENSION
GD	GLASS DIMENSION
DP	DIMENSION POINT

Revisions By:



A CRH COMPANY  
 2503 E. Vernon Avenue, Los Angeles, CA 90058-1887  
 PH (800)-421-6144 FX: 800-587-7501 [www.crlaurence.com](http://www.crlaurence.com)

Description:  
 CRL490/495 SERIES  
 TOP HUNG SINGLE TRACK  
 SLIDING DOOR  
 FOR 5/16" - 1/2" GLASS

Drawn By: GM

Date: 04/30/19

Scale: AS NOTED

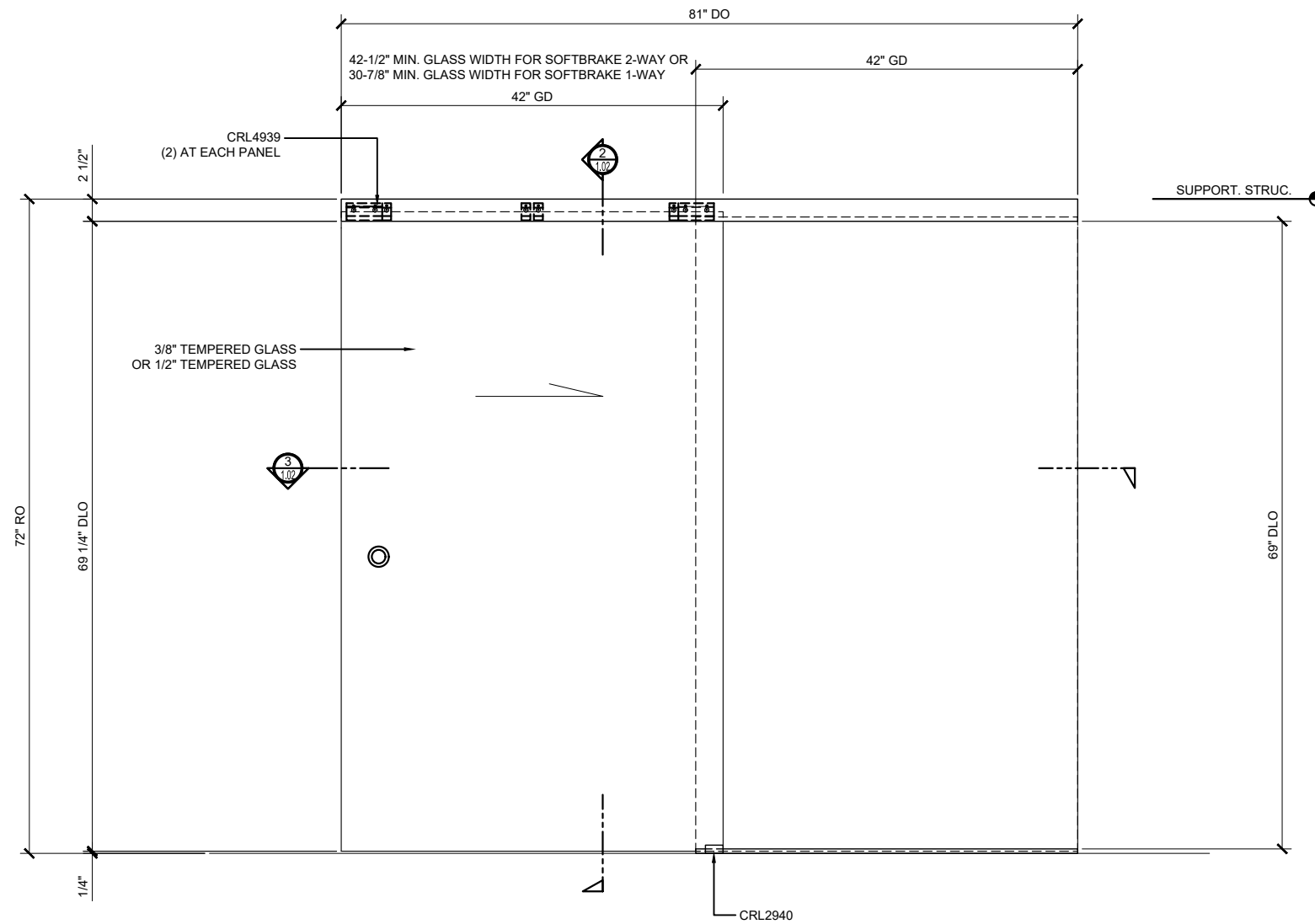
File Name:

CRL490\_Top\_Hung\_Slid\_Doors.dwg

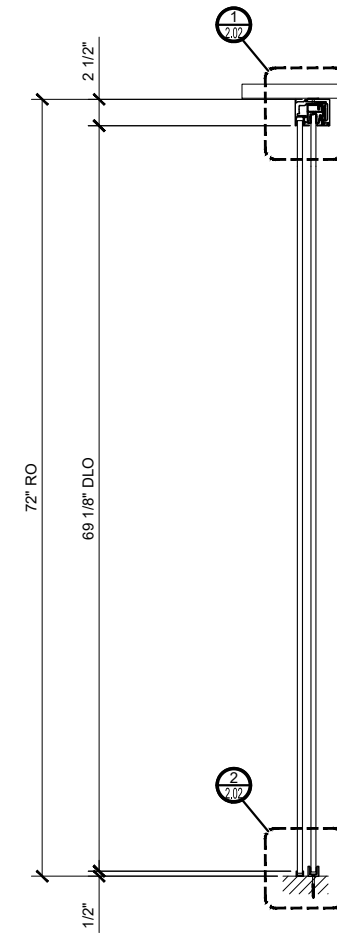
Sheet

1.01

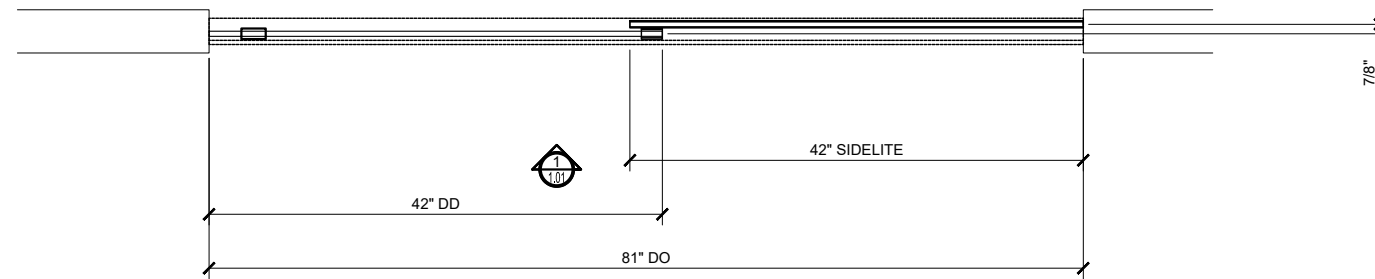
# CRL 490 SERIES TOP HUNG SLIDING DOOR CRL490 / 495 SYSTEM



① CRL4951 SLIDING DOOR ELEVATION  
1 1/2"=1'-0"



② SLIDER SECTION  
1 1/2"=1'-0"



③ CRL4951 PLAN  
1 1/2"=1'-0"

Revisions By:



A CRH COMPANY  
2503 E. Vernon Avenue, Los Angeles, CA 90058-1887  
PH (800)-421-8144 FX: 800-587-7501 www.crlaluminum.com

Description:  
CRL490/495 SERIES  
TOP HUNG SINGLE TRACK  
SLIDING DOOR  
FOR 5/16" - 1/2" GLASS

Drawn By: GM

Date: 04/30/19

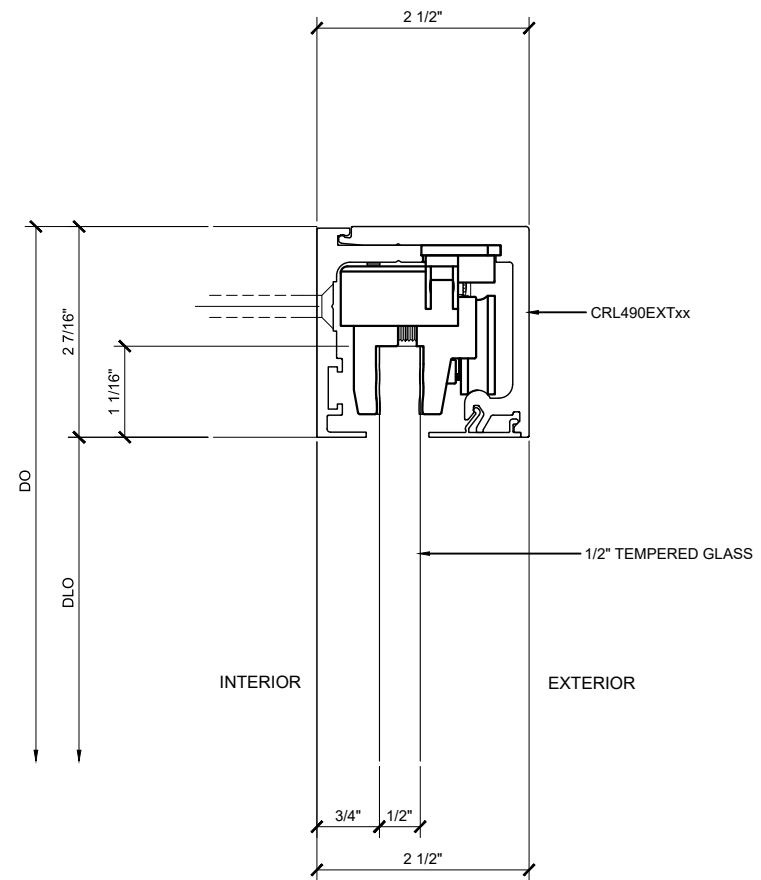
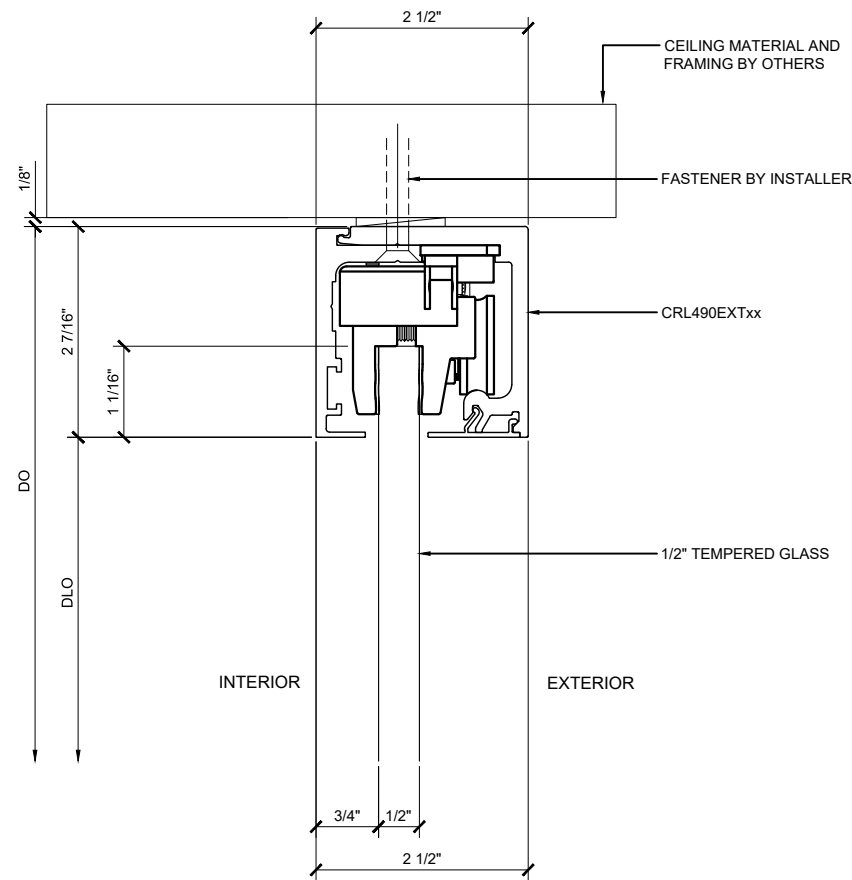
Scale: AS NOTED

File Name:

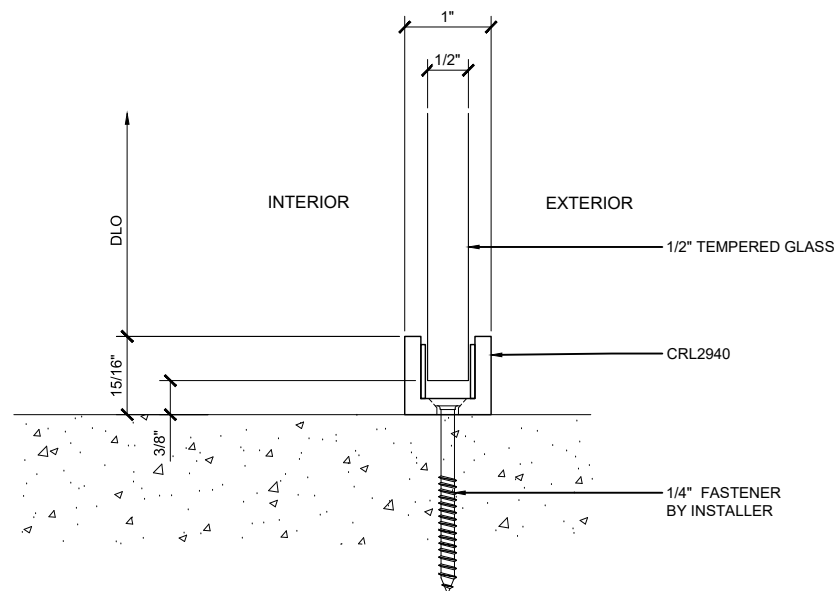
CRL490\_Top\_Hung\_Slid\_Doors.dwg

Sheet

1.02



**① CRL490, CRL490BSA, CRL495 & CRL495BSA HEADER DETAIL**  
 ARCH REF: NONE 1'-0"=1'-0"



**② CRL490, CRL490BSA, CRL495 & CRL495BSA SILL DETAIL**  
 ARCH REF: NONE 1'-0"=1'-0"

**CRL490/495 SERIES CEILING MOUNT SLIDING DOOR CRL490, CRL490BSA, CRL495 AND CRL495BSA DETAILS**

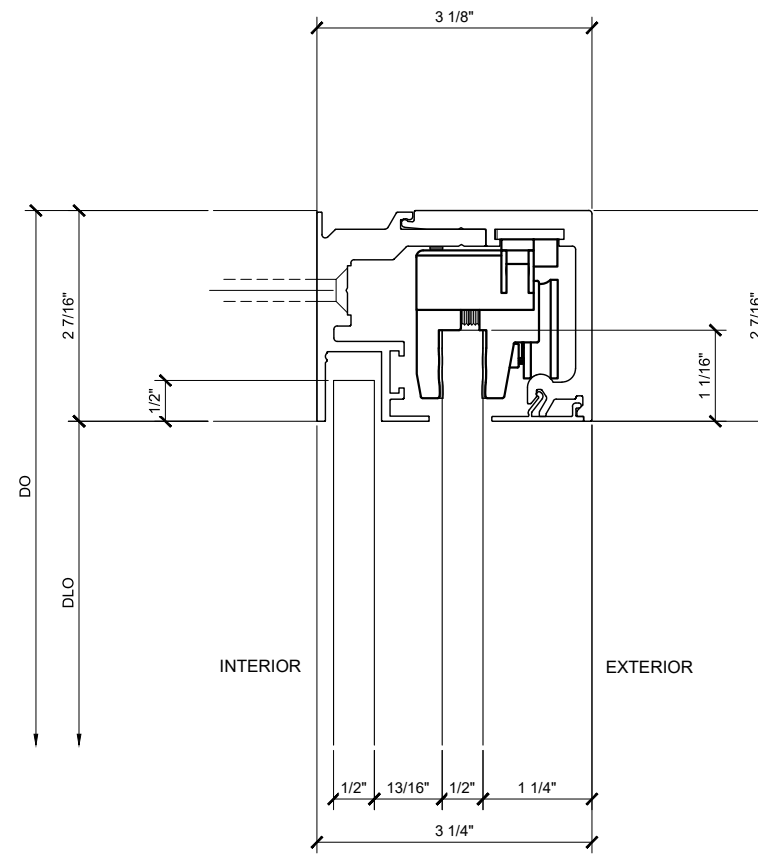
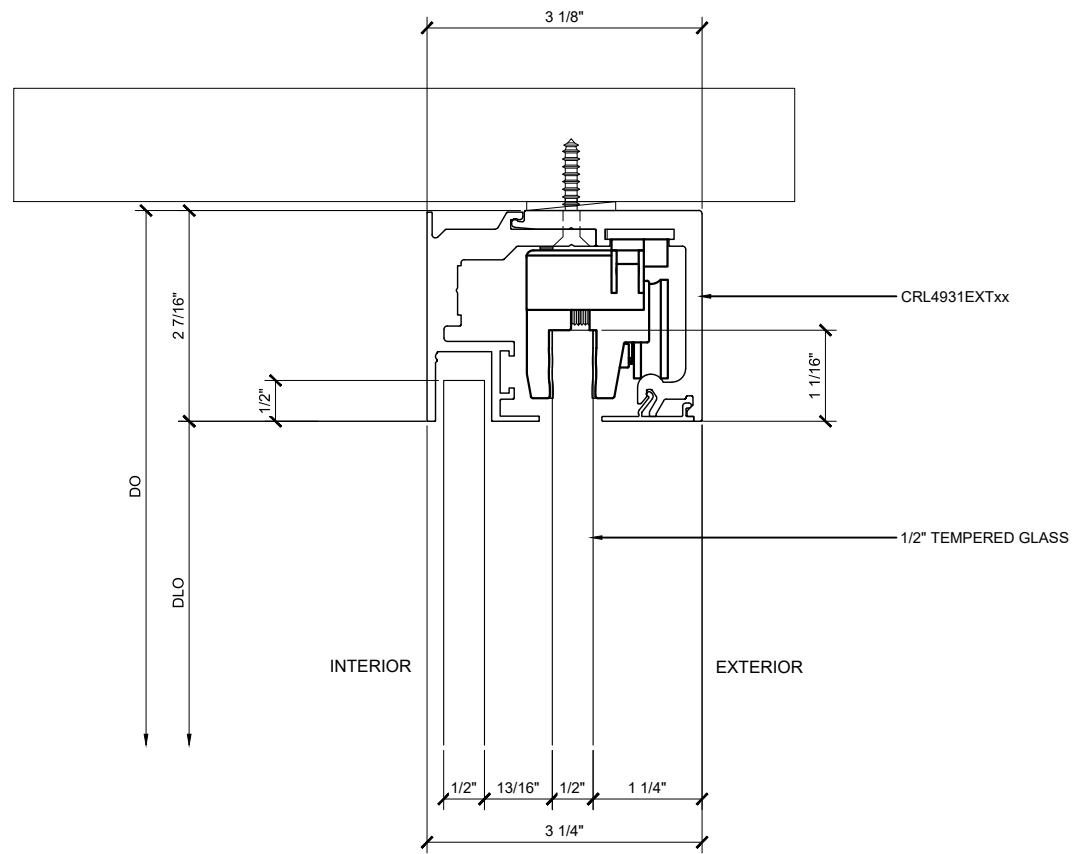
Revisions By:



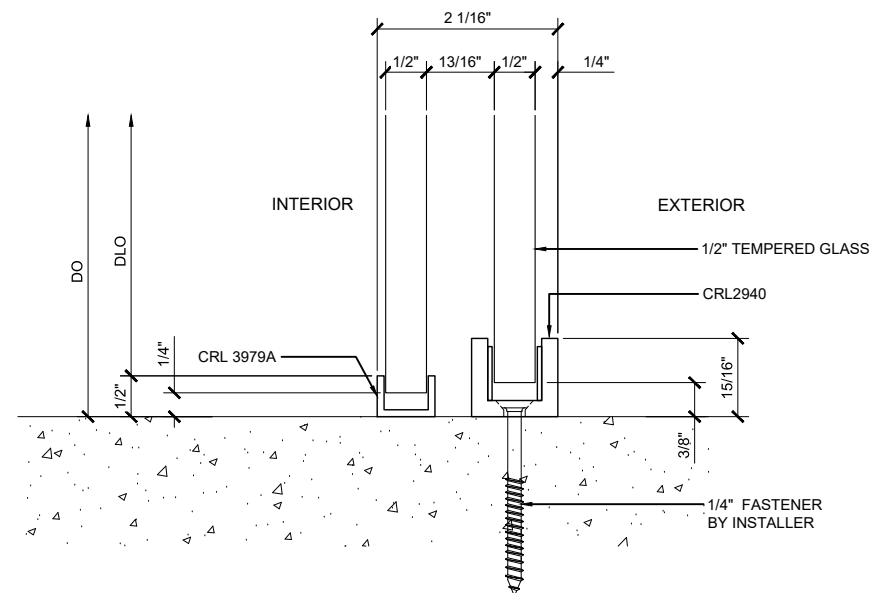
A CRH COMPANY  
 2503 E. Vernon Avenue, Los Angeles, CA 90058-1887  
 PH (800)-421-6144 FX: 800-587-7501 www.crlaluminum.com

**Description:**  
 CRL490/495 SERIES  
 TOP HUNG SINGLE TRACK  
 SLIDING DOOR  
 FOR 5/16" - 1/2" GLASS

Drawn By: GM  
 Date: 04/30/19  
 Scale: AS NOTED  
 File Name:  
 CRL490\_Top\_Hung\_Slid\_Doors.dwg  
 Sheet

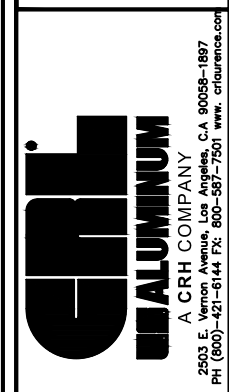


**① CRL4901, CRL4901BSA, CRL4951 & CRL4951BSA HEADER DETAIL**  
 ARCH REF: NONE 1'-0"=1'-0"



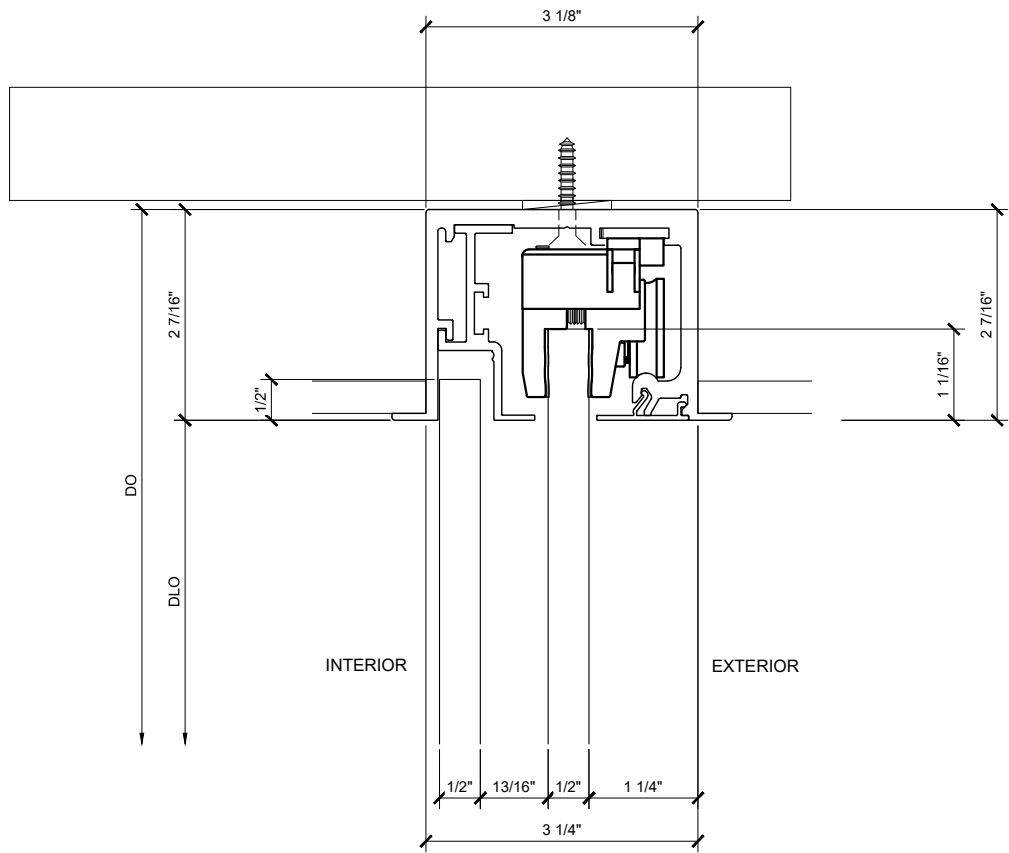
**② CRL4901, CRL4901BSA, CRL4951 & CRL4951BSA SILL DETAIL**  
 ARCH REF: NONE 1'-0"=1'-0"

Revisions By:

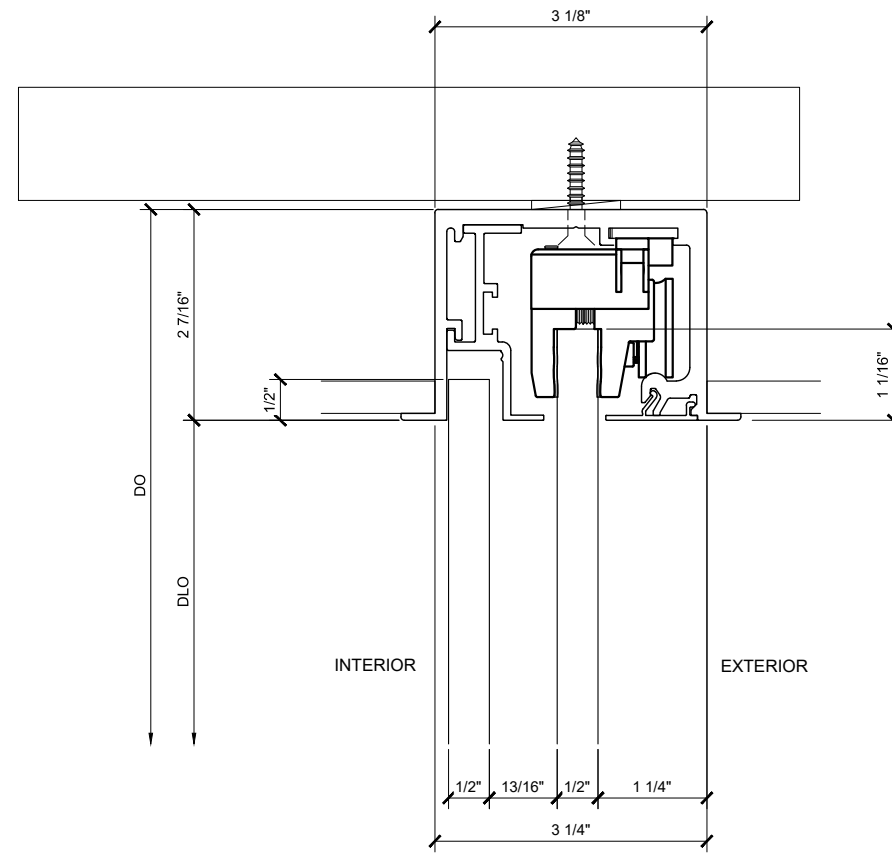


**Description:**  
 CRL490/495 SERIES  
 TOP HUNG SINGLE TRACK  
 SLIDING DOOR  
 FOR 5/16" - 1/2" GLASS

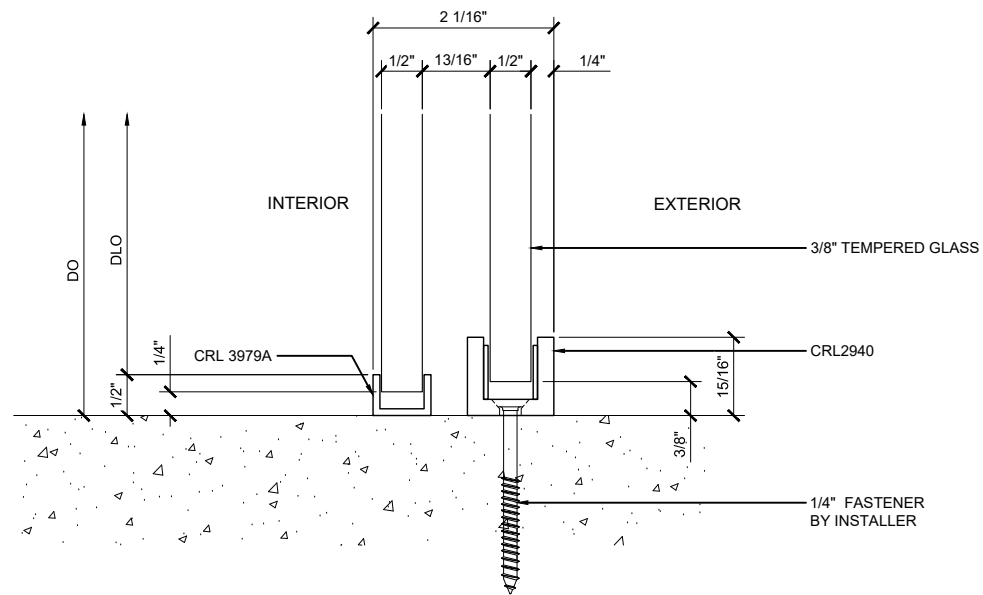
Drawn By: GM  
 Date: 04/30/19  
 Scale: AS NOTED  
 File Name:  
 CRL490\_Top\_Hung\_Slid\_Doors.dwg  
 Sheet



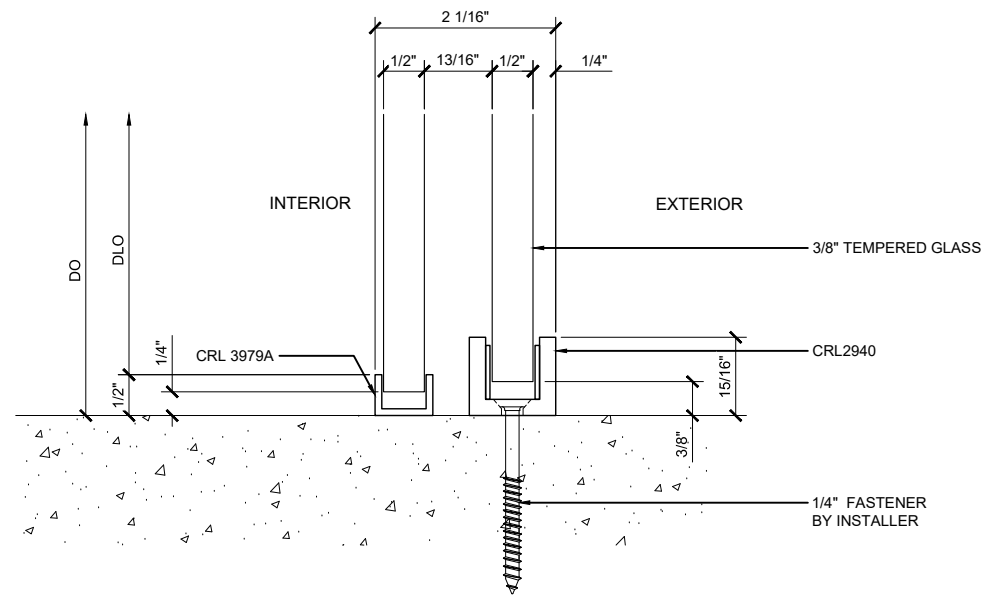
**① CRL4901D, CRL490D1BSA HEADER DETAIL**  
 ARCH REF: NONE 1'-0"=1'-0"



**③ CRL4951D & CRL4951DBSA HEADER DETAIL**  
 ARCH REF: NONE 1'-0"=1'-0"

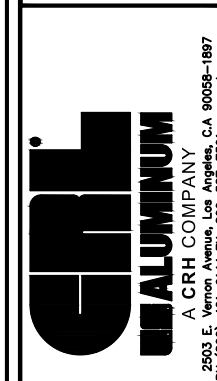


**② CRL4901, CRL4901BSA SILL DETAIL**  
 ARCH REF: NONE 1'-0"=1'-0"



**④ CRL4951 & CRL4951BSA SILL DETAIL**  
 ARCH REF: NONE 1'-0"=1'-0"

Revisions By:



Description:  
 CRL490/495 SERIES  
 TOP HUNG SINGLE TRACK  
 SLIDING DOOR  
 FOR 5/16" - 1/2" GLASS

Drawn By: GM  
 Date: 04/30/19  
 Scale: AS NOTED  
 File Name:  
 CRL490\_Top\_Hung\_Slid\_Doors.dwg  
 Sheet