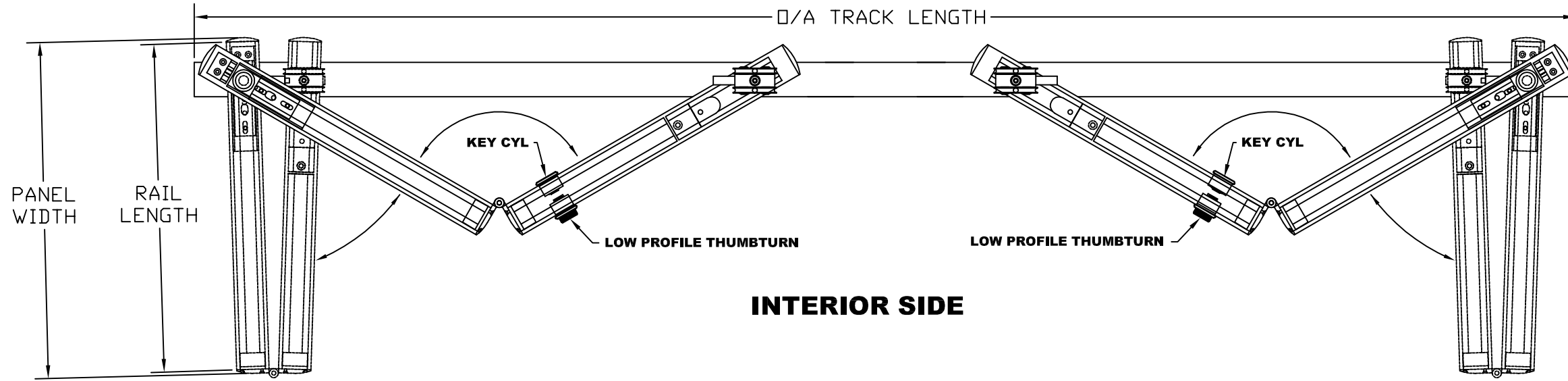
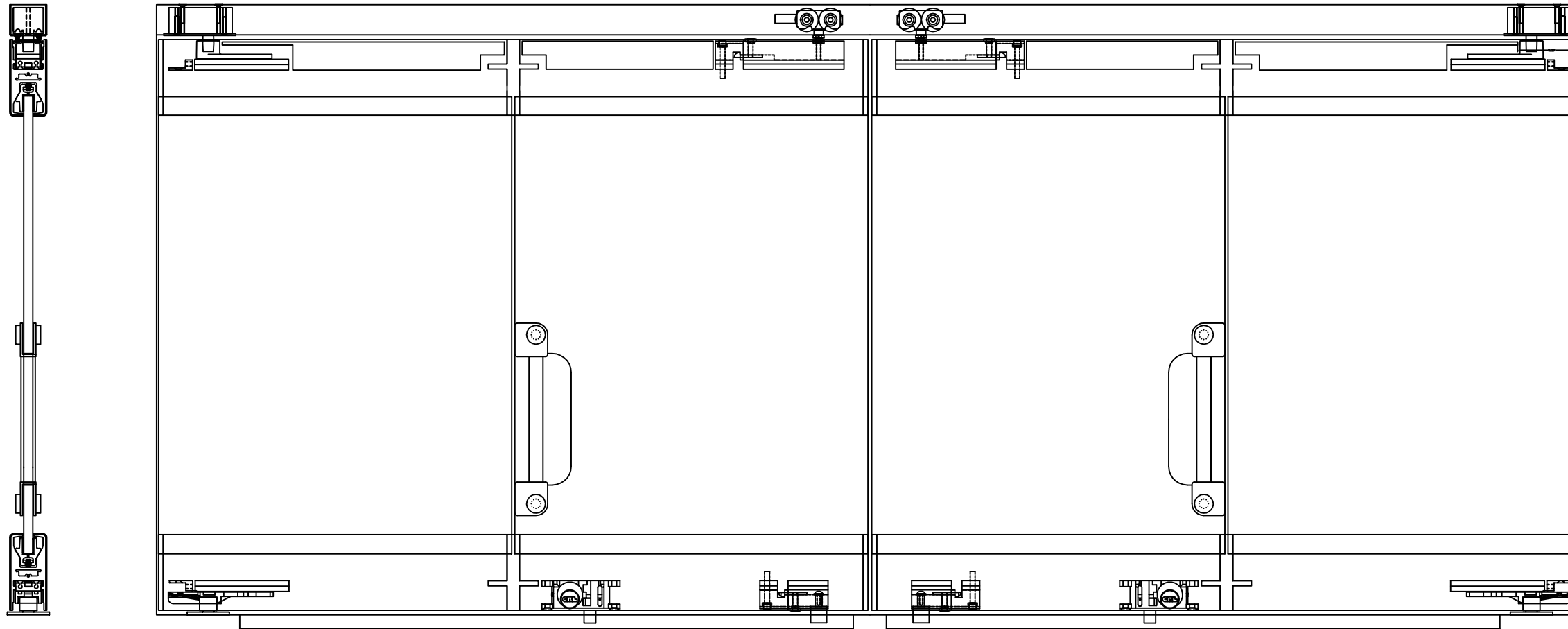
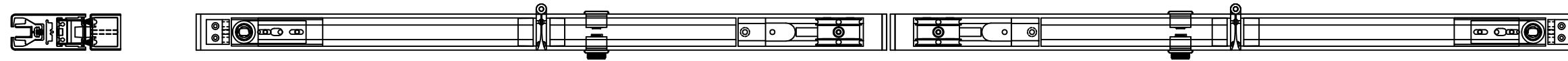


EXTERIOR SIDE



INTERIOR SIDE



STD LOCK POSITIONS SHOWN

C.R. Laurence Co., Inc
 1334 W. 132 Street GARDENA, CALIFORNIA 90249
 PHONE: (310) 515-2289 FAX: (310) 515-1257

REV.	DESCRIPTION	DATE	BY	DRAWN BY: RJB	SCALE: NTS	DATE: 09/13/02	PART NUMBER 0TB4BP
THIS DRAWING AND THE DESIGN SHOWN THEREIN IS THE PROPERTY OF C.R.LAURENCE CO., INC. AND USE OR COPIES THEREOF CANNOT BE MADE WITHOUT WRITTEN CONSENT.				PART: GENERAL ASSEMBLY			
				PRODUCT: FULL LEAF BI-FOLD DOOR 4-PANEL BIPART			
				NOTE:			DRAWING NUMBER 0TB4BP