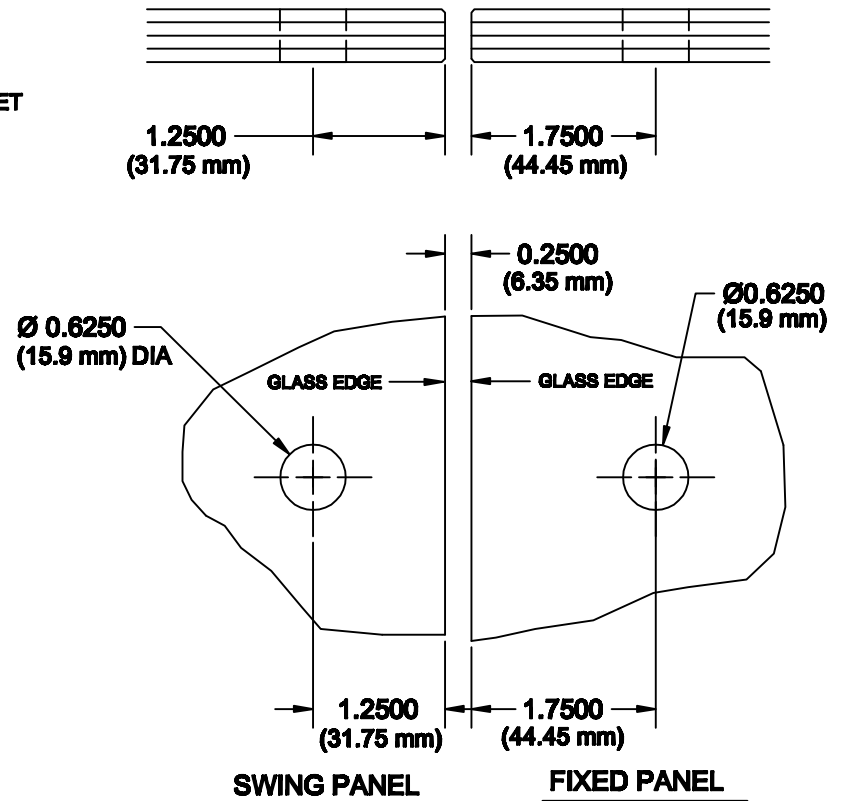
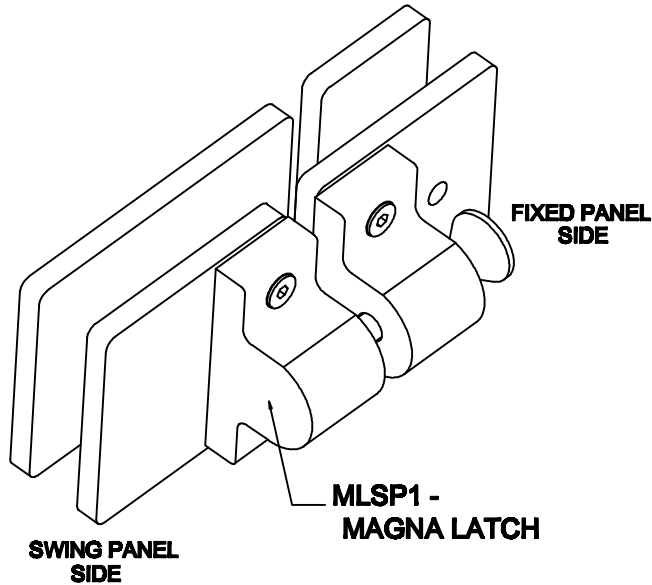
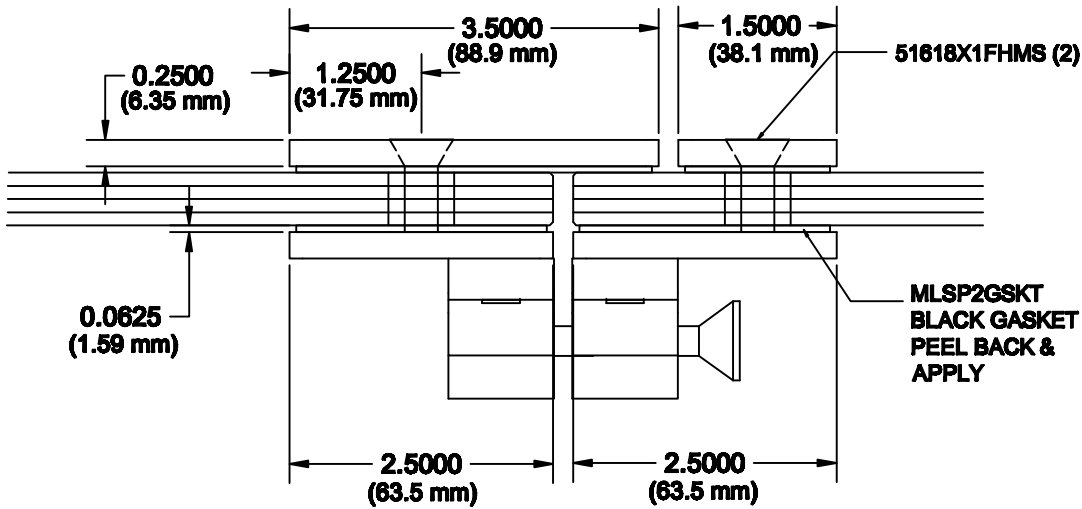


# MLSP2BS GLASS FABRICATION TEMPLATE

REV	DESCRIPTION	DATE	BY
REV	ADDED NOTES	10-31-06	CH



**ARCHITECTURAL PRODUCTS**  
 PH: 800-421-6144 FX: 800-262-3299  
 WWW.CRLAURENCE.COM

DESCRIPTION:

CAT. NO:

DATE: 05-03-07

FILE NAME:

SCALE: AS SHOWN

DRAWN BY: C.H

CHECKED BY:

SHT 1 OF 1