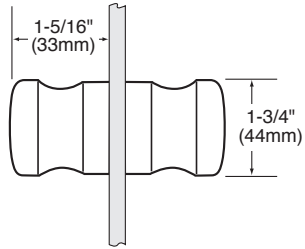


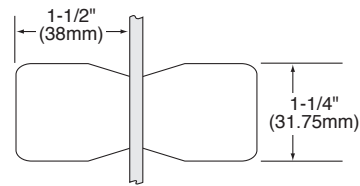
Specifications:

Material: Solid brass
 Glass Thickness Range: 1/4" (6mm) to 1/2" (12mm)
 Hole Size Required: 1/2" (12mm) diameter

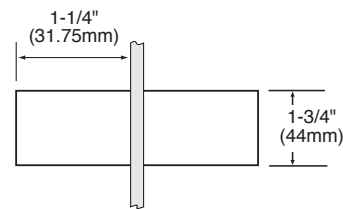
CAT. NO. SDK120



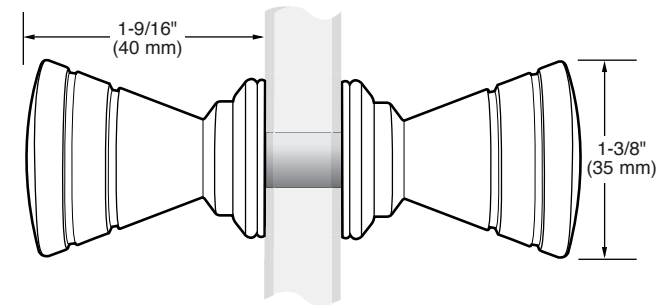
CAT. NO. SDK109



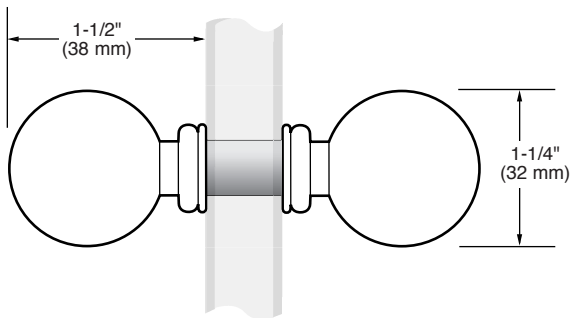
CAT. NO. SDK112



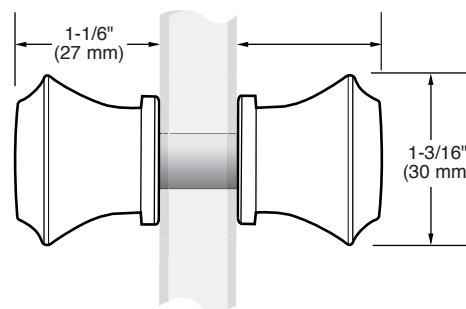
CAT. NO. SDK046



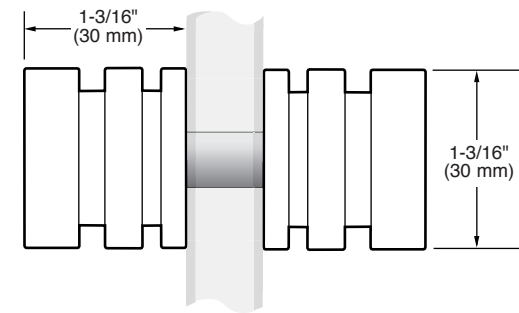
CAT. NO. SDK075



CAT. NO. SDK053



CAT. NO. SDK160



KNOBS