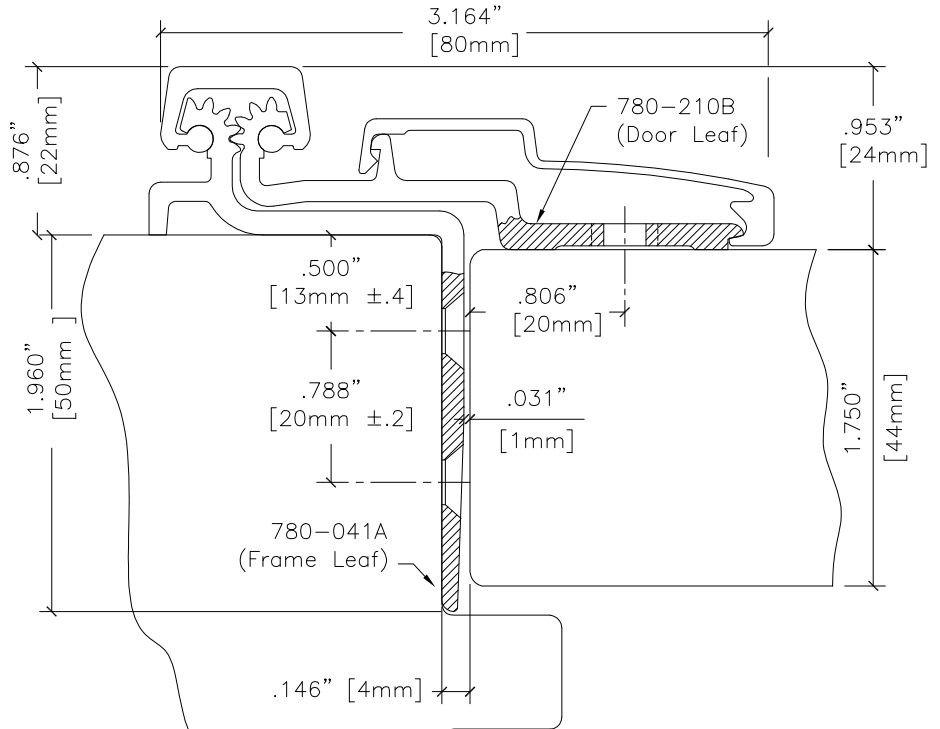
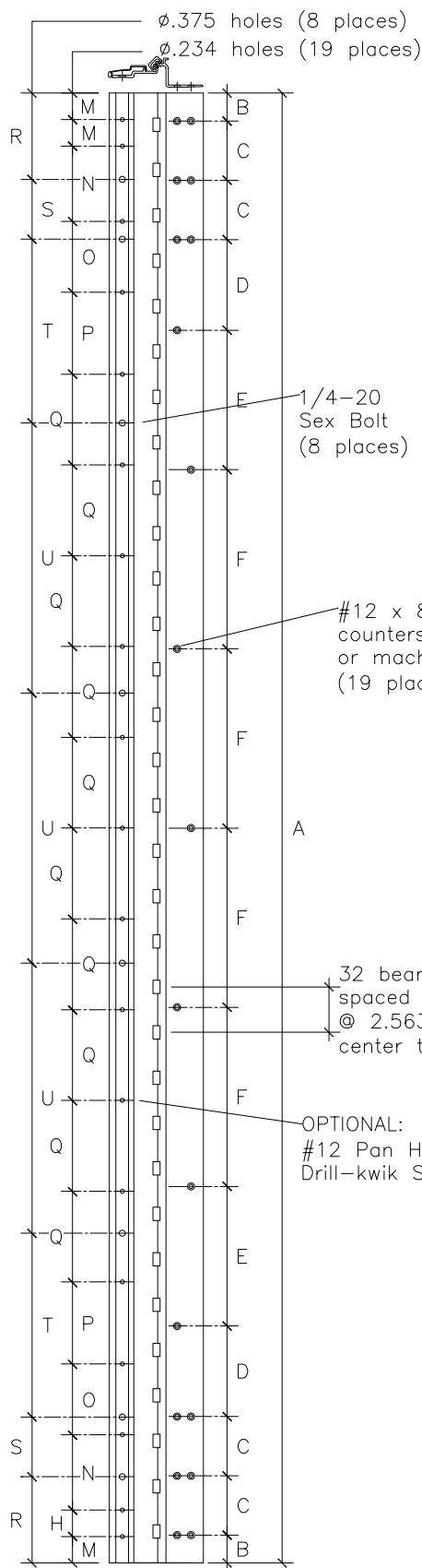


This application is intended for square edged doors only. For beveled edge doors, refer to the General Information section titled Door and Frame Dimensioning - Full Surface Models

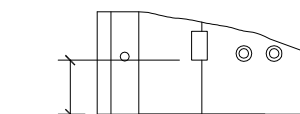


Unless noted all dimensions $\frac{\pm .020"}{\pm .5mm}$

Vertical Hole Spacing

Non cumulative tolerances on hole to hole spacing.

	Metric (mm)	Decimal (in.)
A	2108.0 $\pm .008$	82.992 $\pm .008$
B	40.0 $\pm .25$	1.575 $\pm .010$
C	85.0 $\pm .20$	3.346 $\pm .008$
D	130.0 $\pm .20$	5.118 $\pm .008$
E	200.0 $\pm .20$	7.874 $\pm .008$
F	257.0 $\pm .20$	10.118 $\pm .008$
H	38.1 $\pm .025$	1.500 $\pm .010$
M	38.0 $\pm .020$	1.496 $\pm .008$
N	25.4 $\pm .020$	1.000 $\pm .008$
O	184.2 $\pm .020$	7.250 $\pm .008$
P	247.7 $\pm .020$	9.750 $\pm .008$
Q	260.1 $\pm .020$	10.250 $\pm .008$
R	209.5 $\pm .020$	8.246 $\pm .008$
S	263.5 $\pm .020$	10.375 $\pm .008$
T	387.4 $\pm .020$	15.250 $\pm .008$



1.402" [35.6mm] Ref.

End of hinge to first bearing, both ends.



HAGER COMPANIES
 HIGHWAY 78 WEST
 P.O. BOX 3368
 OXFORD, ALABAMA 36203

780-211 83" HD

DATE 1-15-02 REV. 08-19-02 DR. KBJ SCALE None

FILENAME z:\roton\template\standard\780-045.dwg

DRAWING NO. 780211083HD